



INSTALLATION MANUAL

AIR CONDITIONER

Please read this installation manual completely before installing the product.
Installation work must be performed in accordance with the national wiring standards by authorized personnel only.
Please retain this installation manual for future reference after reading it thoroughly.

MULTI

Original instruction

[Representative] LG Electronics Inc. EU Representative : LG Electronics European Shared Service Center B.V.
Krijgsman 1, 1186 DM Amstelveen, The Netherlands

[Manufacturer] LG Electronics Tianjin Appliances co.,Ltd.
No.09,Jinwei Road,Beichen District,Tianjin,China.



MFL70363726

Rev.00_231128

Copyright © 2017 - 2024 LG Electronics Inc. All Rights Reserved.

РУССКИЙ ЯЗЫК
ENGLISH

УКРАЇНСЬКА
ITALIANO

ҚАЗАҚ ТІЛІ
ESPAÑOL

БЕЛАРУСКАЯ МОВА
FRANÇAIS

ЎЗБЕК ТИЛИ
DEUTSCH

ЕВАННІКА
EVAHNIKA





ЧЕШТИНА
ČEŠTINA

НEDERLANDS
NEDERLANDS

POLSKI
POLSKI

LIMBA ROMÂNĂ
LIMBA ROMÂNĂ

IMPORTANT SAFETY INSTRUCTIONS

| | | | |
|---|---|---|---|
|  | Read the precautions in this manual carefully before operating the unit. |  | This appliance is filled with flammable refrigerant (R32) |
|  | This symbol indicates that the Operation Manual should be read carefully. |  | This symbol indicates that a service personnel should be handling this equipment with reference to the Installation Manual. |

READ ALL INSTRUCTIONS BEFORE USING THE APPLIANCE.

Always comply with the following precautions to avoid dangerous situations and ensure peak performance of your product

! WARNING

It can result in serious injury or death when the directions are ignored

! CAUTION

It can result in minor injury or product damage when the directions are ignored

! WARNING

- Installation or repairs made by unqualified persons can result in hazards to you and others.
- Installation work must be performed in accordance with the National Electric Code by qualified and authorized personnel only.
- The information contained in the manual is intended for use by a qualified service technician familiar with safety procedures and equipped with the proper tools and test instruments.
- Failure to carefully read and follow all instructions in this manual can result in equipment malfunction, property damage, personal injury and/or death.
- Compliance with national gas regulations shall be observed.

Installation

- Do not use a defective or underrated circuit breaker. Use the correctly rated breaker and fuse. There is risk of fire or electric shock.
- For electrical work, contact the dealer, seller, a qualified electrician, or an Authorized Service Center. Do not disassemble or repair the product by yourself. There is risk of fire or electric shock.

- Always ground the product as per the wiring diagram. Do not connect the ground wire to gas or water pipes lightning rod or telephone ground wire. There is risk of fire or electric shock.
- Install the panel and the cover of control box securely. There is risk of fire or electric shock due to dust, water etc.
- Use the correctly rated breaker or fuse. There is risk of fire or electric shock.
- Do not modify or extend the power cable. If the power cable or cord has scratches or skin peeled off or deteriorated then it must be replaced. There is risk of fire or electric shock.
- For installation, removal or reinstall, always contact the dealer or an Authorized Service Center. There is risk of fire, electric shock, explosion, or injury.
- Do not install the product on a defective installation stand. Be sure that the installation area does not deteriorate with age. It may cause product to fall.
- Never install the outdoor unit on a moving base or a place from where it can fall down. The falling outdoor unit can cause damage or injury or even death of a person.
- In outdoor unit the step-up capacitor supplies high voltage electricity to the electrical components. Be sure to discharge the capacitor completely before conducting the repair work. An charged capacitor can cause electrical shock.
- When installing the unit, use the installation kit provided with the product. Otherwise the unit may fall and cause severe injury.
- Indoor/outdoor wiring connections must be secured tightly and the cable should be routed properly so that there is no force pulling the cable from the connection terminals. Improper or loose connections can cause heat generation or fire.
- Safely dispose off the packing materials. Like screws, nails, batteries, broken things etc after installation or svc and then tear away and throw away the plastic packaging bags. Children may play with them and cause injury.
- Be sure to check the refrigerant to be used. Please read the label on the product. Incorrect refrigerant used can prevent the normal operation of the unit.
- Do not turn on the breaker or power under condition that front panel, cabinet, top cover, control box cover are removed or opened. Otherwise, it may cause fire, electric shock, explosion or death.

- Use a vacuum pump or Inert (nitrogen) gas when doing leakage test or air purge. Do not compress air or Oxygen and do not use Flammable gases. Otherwise, it may cause fire or explosion.
- The appliance shall be stored in a room without continuously operating ignition sources (for example: open flames, an operating gas appliance or an operating electric heater)
- Do not use means to accelerate the defrosting process or to clean, other than those recommended by the manufacturer.
- Do not pierce or burn refrigerant cycle part.
- Be aware that refrigerants may not contain an odour.
- Keep any required ventilation openings clear of obstruction.
- The appliance shall be stored in a well-ventilated area where the room size corresponds to the room area as specified for operation.
- Refrigerant tubing shall be protected or enclosed to avoid damage.
- Flexible refrigerant connectors (such as connecting lines between the indoor and outdoor unit) that may be displaced during normal operations shall be protected against mechanical damage.
- A brazed, welded, or mechanical connection shall be made before opening the valves to permit refrigerant to flow between the refrigerating system parts.
- Mechanical connections shall be accessible for maintenance purposes.

Operation

- When the product is soaked (flooded or submerged) in water , contact an Authorized Service Center for repair before using it again. There is risk of fire or electric shock.
- Be sure to use only those parts which are listed in the svc parts list. Never attempt to modify the equipment. The use of inappropriate parts can cause an electrical shock, excessive heat generation or fire.
- Do not touch , operate, or repair the product with wet hands. Hold the plug by hand when taking out. There is risk of electric shock or fire.
- Do not place a heater or other heating appliances near the power cable. There is risk of fire and electric shock.

- Do not allow water to run into electric parts. Install the unit away from water sources. There is risk of fire, failure of the product, or electric shock.
- Do not store or use or even allow flammable gas or combustibles near the product. There is risk of fire.
- Do not use the product in a tightly closed space for a long time. Perform ventilation regularly. Oxygen deficiency could occur and hence harm your health.
- Do not open the front grille of the product during operation. (Do not touch the electrostatic filter, if the unit is so equipped.) There is risk of physical injury, electric shock, or product failure.
- If strange sound, smell or smoke comes from product. Immediately turn the breaker off or disconnect the power supply cable. There is risk of electric shock or fire.
- Ventilate the product room from time to time when operating it together with a stove, or heating element etc. Oxygen deficiency can occur and hence harm your health.
- When the product is not to be used for a long time, disconnect the power supply plug or turn off the breaker. There is risk of product damage or failure, or unintended operation.
- Take care to ensure that nobody especially kids could step on or fall onto the outdoor unit. This could result in personal injury and product damage.
- Take care to ensure that power cable could not be pulled out or damaged during operation. There is risk of fire or electric shock.
- Do not place anything on the power cable. There is risk of fire or electric shock.
- When flammable gas leaks, turn off the gas and open a window for ventilation before turning on the product. Do not use the telephone or turn switches on or off. There is risk of explosion or fire.
- Make sure to ventilate sufficiently when this air conditioner and a heating appliance such as a heater are used simultaneously. Failure to do so may result in fire, serious injury, or product failure.
- Periodic (more than once/year) cleaning of the dust or salt particles stuck on the heat exchanger by using water.

- Dismantling the unit, treatment of the refrigerant oil and eventual parts should be done in accordance with local and national standards.

CAUTION

Installation

- Two or more people must lift and transport the product. Avoid personal injury.
- Do not install the product where it will be exposed to sea wind (salt spray) directly. It may cause corrosion on the product.
- Install the drain hose to ensure that the condensed water is drained away properly. A bad connection may cause water leakage.
- Keep level even when installing the product. To avoid vibration or noise.
- Do not install the product where the noise or hot air from the outdoor unit could damage or disturb the neighborhoods. It may cause a problem for your neighbors and hence dispute.
- Always check for gas (refrigerant) leakage after installation or repair of product. Low refrigerant levels may cause failure of product.
- Any person who is involved with working on or breaking into a refrigerant circuit should hold a current valid certificate from an industry-accredited assessment authority, which authorizes their competence to handle refrigerants safely in accordance with an industry recognized assessment specification.
- Wear adequate personal protection equipment (PPE) when installing, maintaining or servicing the product.

Operation

- Do not use the product for special purposes, such as preserving foods, works of art, etc. It is a consumer air conditioner, not a precision refrigeration system. There is risk of damage or loss of property.
- Do not block the inlet or outlet of air flow. It may cause product failure.

- Use a soft cloth to clean. Do not use harsh detergents, solvents or splashing water etc. There is risk of fire, electric shock, or damage to the plastic parts of the product.
- Do not touch the metal parts of the product when removing the air filter. There is risk of personal injury.
- Do not step on or put anything on the product. (outdoor units) There is risk of personal injury and failure of product.
- Always insert the filter securely after cleaning. Clean the filter every two weeks or more often if necessary. A dirty filter reduces the efficiency.
- Do not insert hands or other objects through the air inlet or outlet while the product is operating. There are sharp and moving parts that could cause personal injury.
- Be cautious when unpacking and installing the product. Sharp edges could cause injury.
- If the refrigerant gas leaks during the repair, do not touch the leaking refrigerant gas. The refrigerant gas can cause frostbite (cold burn).
- Do not tilt the unit when removing or uninstalling it. The condensed water inside can spill.
- Do not mix air or gas other than the specified refrigerant used in the system. If air enters the refrigerant system, an excessively high pressure results, causing equipment damage or injury.
- If the refrigerant gas leaks during the installation, ventilate the area immediately. Otherwise it can be harmful for your health.
- Dismantling the unit, treatment of the refrigerant oil and eventual parts should be done in accordance with local and national standards.
- Replace the all batteries in the remote control with new ones of the same type. Do not mix old and new batteries or different types of batteries. There is risk of fire or product failure.
- Do not recharge or disassemble the batteries. Do not dispose off batteries in a fire. They may burn or explode.
- If the liquid from the batteries gets onto your skin or clothes, wash it well with clean water. Do not use the remote if the batteries have leaked. The chemicals in batteries could cause burns or other health hazards.

- If you swallow the battery fluid from a leak, wash out the inside of your mouth thoroughly and then consult a doctor. Failure to do so may result in serious health complications.
- Do not let the air conditioner run for a long time when the humidity is very high and a door or a window is left open. Moisture may condense and wet or damage furniture.
- Do not expose your skin or kids or plants to the cool or hot air draft. This could harm to your health.
- Do not drink the water drained from the product. It is not sanitary and could cause serious health issues.
- Use a firm stool or ladder when cleaning, maintaining or repairing the product at an height. Be careful and avoid personal injury.
- The appliance shall be stored so as to prevent mechanical damage from occurring.
- Servicing shall only be performed as recommended by the equipment manufacturer. Maintenance and repair requiring the assistance of other skilled personnel shall be carried out under the supervision of the person competent in the use of flammable refrigerants.
- The installation of pipe-work shall be kept to a minimum
- When mechanical connectors are reused indoors, sealing parts shall be renewed.
- When flared joints are reused indoors, the flare part shall be re-fabricated.
- This appliance is not intended for use by persons (including children) with reduced physical, sensory or mental capabilities, or lack of experience and knowledge, unless they have been given supervision or instruction concerning use of the appliance by a person responsible for their safety. Children should be supervised to ensure that they do not play with the appliance.
- This appliance can be used by children aged from 8 years and above and persons with reduced physical, sensory or mental capabilities or lack of experience and knowledge if they have been given supervision or instruction concerning use of the appliance in a safe way and Understand the hazards involved. Children shall not play with the appliance. Cleaning and user maintenance shall not be made by children without supervision

TABLE OF CONTENTS

2 IMPORTANT SAFETY INSTRUCTIONS

10 INSTALLATION

11 INSTALLATION OF OUTDOOR UNIT

- 11 Select the best location
- 13 Piping length and elevation
- 13 Refrigerant charge

14 FLARING WORK AND CONNECTION OF PIPING

- 14 Preparation of Piping
- 15 Connection of piping - Outdoor

16 CONNECTING THE CABLE BETWEEN INDOOR UNIT AND OUTDOOR UNIT

- 16 Connect the cable to the Indoor unit
- 17 Connect the cable to the Outdoor unit

19 FORMING THE PIPING

20 AIR PURGING AND EVACUATION

- 20 Checking method
- 21 Evacuation

22 INSTALLATION PI485

23 TEST RUNNING

24 FUNCTION

- 24 DIP S/W Setting
- 26 Forced Cooling Operation
- 26 Wiring Error Check
- 27 Saving Power Consumption
- 28 Night Quiet Mode
- 29 Mode Lock

30 MAX COMBINATION CAPACITY

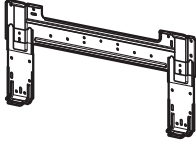
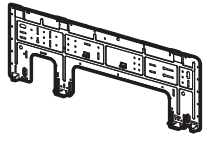
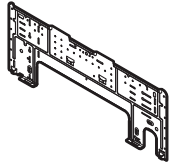
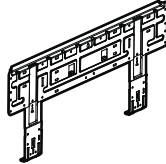
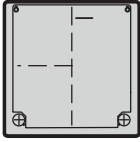






31 INSTALLATION GUIDE AT THE SEASIDE

31 SEASONAL WIND AND CAUTIONS IN WINTER

- 32 Model Designation
- 32 Airborne Noise Emission

INSTALLATION

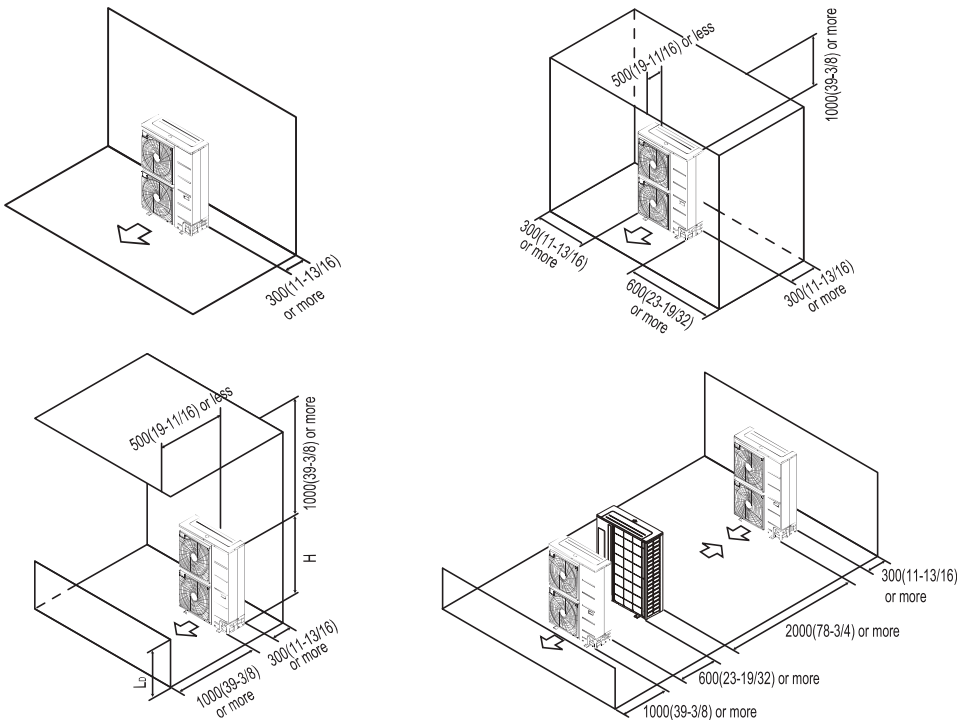
Installation Parts

| | | | | |
|---|---|--|---|---|
| Installation plate | | | | |
|  |  |  |  |  |
| Type "B" screws | | | | |
|  | | | | |
| Type "A" screw (6 EA) | Type "A" screw (8 EA) | Type "A" screw (7 EA) | Type "A" screw and plastic anchors | |
|  |  |  |  | |
| Holder Remote Control | | | | |
|  | | | | |

Clearance of side discharge unit [Unit : mm(inch)]

Do not install the product where sufficient ventilation is not secured.

The performance may be decreased or the product may not be operated.



* In case of series or another installation, please refer to related PDB.

INSTALLATION OF OUTDOOR UNIT

Read completely, then follow step by step.

You need to select adequate installation location considering the following conditions, and make sure to acquire the consent of the user.

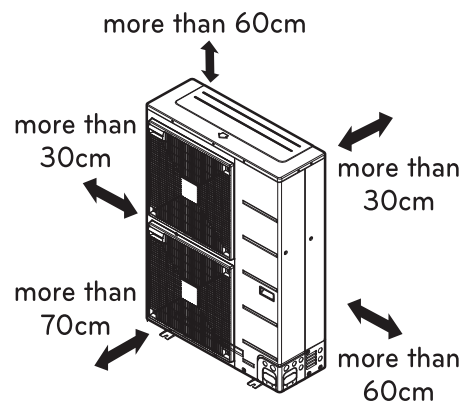
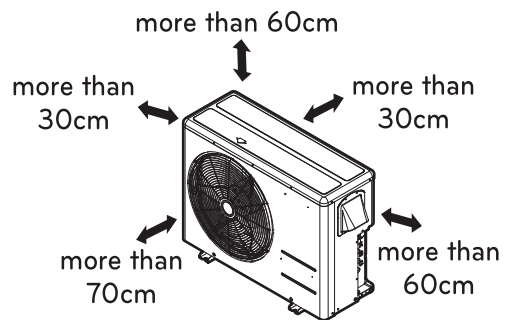
Select the best location

Outdoor unit

- 1 If an awning is built over the unit to prevent direct sunlight or rain exposure, make sure that heat radiation from the condenser is not restricted.
- 2 Ensure that the spaces indicated by arrows around front, back and side of the unit.
- 3 Do not place animals and plants in the path of the warm air.
- 4 Take the air conditioner weight into account and select a place where noise and vibration are minimum.
- 5 Select a place so that the warm air and noise from the air conditioner do not disturb neighbors.
- 6 Place that can sufficiently endure the weight and vibration of the outdoor unit and where even installation is possible.
- 7 Place that has no direct influence of snow or rain.
- 8 Place with no danger of snowfall or icicle drop.
- 9 Place without weak floor or base such as decrepit part of the building or with a lot of snow accumulation.
- 10 Sufficient ventilation is secured.

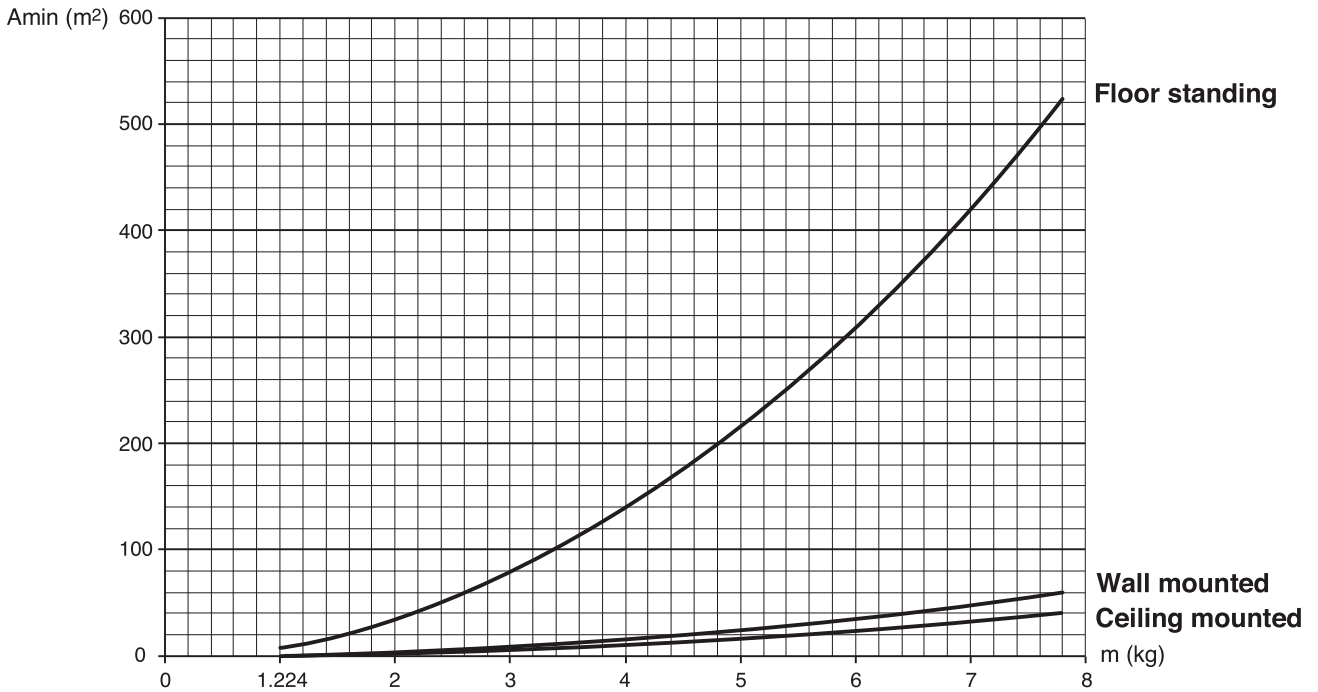
Rooftop Installations

If the outdoor unit is installed on a roof structure, be sure to level the unit. Ensure the roof structure and anchoring method are adequate for the unit location. Consult local codes regarding rooftop mounting.



Minimum floor area (IEC 60335-2-40:2013+A1:2016 Edition 5.1)

- The appliance shall be installed, operated and stored in a room with a floor area larger than the minimum area.
- Use the graph of table to determine the minimum area.



- m : Total refrigerant amount in the system
- Total refrigerant amount : factory refrigerant charge + additional refrigerant amount
- Amin : minimum area for installation

| Floor standing | |
|----------------|------------------------|
| m (kg) | Amin (m ²) |
| < 1.224 | - |
| 1.224 | 12.9 |
| 1.4 | 16.82 |
| 1.6 | 21.97 |
| 1.8 | 27.80 |
| 2 | 34.32 |
| 2.2 | 41.53 |
| 2.4 | 49.42 |
| 2.6 | 58.00 |
| 2.8 | 67.27 |
| 3 | 77.22 |
| 3.2 | 87.86 |
| 3.4 | 99.19 |
| 3.6 | 111.20 |
| 3.8 | 123.90 |
| 4 | 137.29 |
| 4.2 | 151.36 |
| 4.4 | 166.12 |

| Floor standing | |
|----------------|------------------------|
| m (kg) | Amin (m ²) |
| 4.6 | 181.56 |
| 4.8 | 197.70 |
| 5 | 214.51 |
| 5.2 | 232.02 |
| 5.4 | 250.21 |
| 5.6 | 269.09 |
| 5.8 | 288.65 |
| 6 | 308.90 |
| 6.2 | 329.84 |
| 6.4 | 351.46 |
| 6.6 | 373.77 |
| 6.8 | 396.76 |
| 7 | 420.45 |
| 7.2 | 444.81 |
| 7.4 | 469.87 |
| 7.6 | 495.61 |
| 7.8 | 522.04 |

| Wall mounted | |
|--------------|------------------------|
| m (kg) | Amin (m ²) |
| < 1.224 | - |
| 1.224 | 1.43 |
| 1.4 | 1.87 |
| 1.6 | 2.44 |
| 1.8 | 3.09 |
| 2 | 3.81 |
| 2.2 | 4.61 |
| 2.4 | 5.49 |
| 2.6 | 6.44 |
| 2.8 | 7.47 |
| 3 | 8.58 |
| 3.2 | 9.76 |
| 3.4 | 11.02 |
| 3.6 | 12.36 |
| 3.8 | 13.77 |
| 4 | 15.25 |
| 4.2 | 16.82 |
| 4.4 | 18.46 |

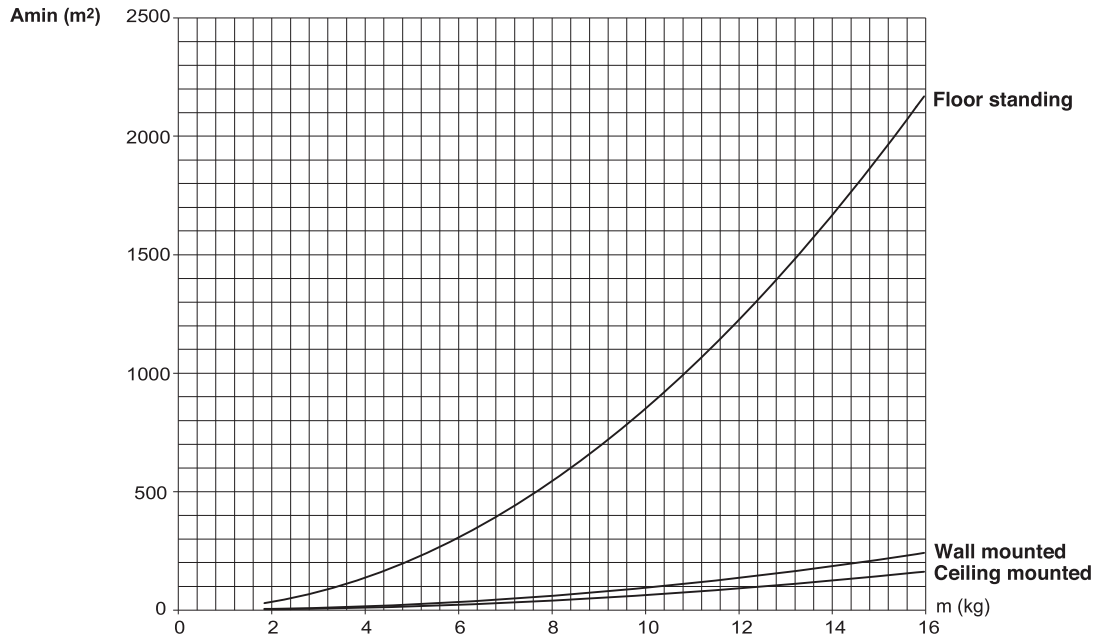
| Wall mounted | |
|--------------|------------------------|
| m (kg) | Amin (m ²) |
| 4.6 | 20.17 |
| 4.8 | 21.97 |
| 5.2 | 25.78 |
| 5.4 | 27.80 |
| 5.6 | 29.90 |
| 5.8 | 32.07 |
| 6 | 34.32 |
| 6.2 | 36.65 |
| 6.4 | 39.05 |
| 6.6 | 41.53 |
| 6.8 | 44.08 |
| 7 | 46.72 |
| 7.2 | 49.42 |
| 7.4 | 52.21 |
| 7.6 | 55.07 |
| 7.8 | 58.00 |

| Ceiling Mounted | |
|-----------------|------------------------|
| m (kg) | Amin (m ²) |
| < 1.224 | - |
| 1.224 | 0.956 |
| 1.4 | 1.25 |
| 1.6 | 1.63 |
| 1.8 | 2.07 |
| 2 | 2.55 |
| 2.2 | 3.09 |
| 2.4 | 3.68 |
| 2.6 | 4.31 |
| 2.8 | 5.00 |
| 3 | 5.74 |
| 3.2 | 6.54 |
| 3.4 | 7.38 |
| 3.6 | 8.27 |
| 3.8 | 9.22 |
| 4 | 10.21 |
| 4.2 | 11.26 |
| 4.4 | 12.36 |

| Ceiling Mounted | |
|-----------------|------------------------|
| m (kg) | Amin (m ²) |
| 4.6 | 13.50 |
| 4.8 | 14.70 |
| 5.2 | 17.26 |
| 5.4 | 18.61 |
| 5.6 | 20.01 |
| 5.8 | 21.47 |
| 6 | 22.98 |
| 6.2 | 24.53 |
| 6.4 | 26.14 |
| 6.6 | 27.80 |
| 6.8 | 29.51 |
| 7 | 31.27 |
| 7.2 | 33.09 |
| 7.4 | 34.95 |
| 7.6 | 36.86 |
| 7.8 | 38.83 |

Minimum floor area (IEC 60335-2-40:2018 Edition 6.0)

- The appliance shall be installed, operated and stored in a room with a floor area larger than the minimum area.
- Use the graph of table to determine the minimum area.
- Console model (For EU market) should be installed only in accordance with IEC 60335-2-40:2018 Edition 6.0.



- m : Total refrigerant amount in the system
- Total refrigerant amount : factory refrigerant charge + additional refrigerant amount
- Amin : minimum area for installation

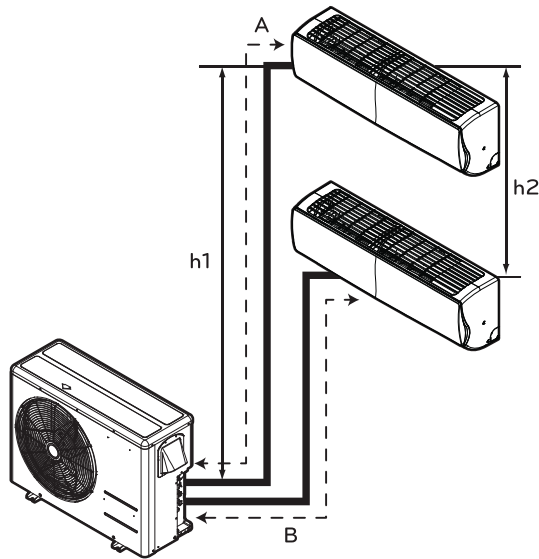
| Floor standing | | Floor standing | | Wall mounted | | Wall mounted | | Ceiling Mounted | | Ceiling Mounted | |
|----------------|------------------------|----------------|------------------------|--------------|------------------------|--------------|------------------------|-----------------|------------------------|-----------------|------------------------|
| m (kg) | Amin (m ²) | m (kg) | Amin (m ²) | m (kg) | Amin (m ²) | m (kg) | Amin (m ²) | m (kg) | Amin (m ²) | m (kg) | Amin (m ²) |
| < 1.842 | - | 9.00 | 689.38 | < 1.842 | - | 9.00 | 76.60 | < 1.842 | - | 9.00 | 51.28 |
| 1.842 | 28.88 | 9.20 | 720.36 | 1.842 | 4.44 | 9.20 | 80.04 | 1.842 | 3.64 | 9.20 | 53.58 |
| 2.00 | 34.04 | 9.40 | 752.02 | 2.00 | 4.83 | 9.40 | 83.56 | 2.00 | 3.95 | 9.40 | 55.94 |
| 2.20 | 41.19 | 9.60 | 784.36 | 2.20 | 5.31 | 9.60 | 87.15 | 2.20 | 4.34 | 9.60 | 58.34 |
| 2.40 | 49.02 | 9.80 | 817.38 | 2.40 | 5.79 | 9.80 | 90.82 | 2.40 | 4.74 | 9.80 | 60.80 |
| 2.60 | 57.53 | 10.00 | 851.08 | 2.60 | 6.39 | 10.00 | 94.56 | 2.60 | 5.13 | 10.00 | 63.30 |
| 2.80 | 66.72 | 10.20 | 885.47 | 2.80 | 7.41 | 10.20 | 98.39 | 2.80 | 5.53 | 10.20 | 65.86 |
| 3.00 | 76.60 | 10.40 | 920.53 | 3.00 | 8.51 | 10.40 | 102.28 | 3.00 | 5.92 | 10.40 | 68.47 |
| 3.20 | 87.15 | 10.60 | 956.28 | 3.20 | 9.68 | 10.60 | 106.25 | 3.20 | 6.48 | 10.60 | 71.13 |
| 3.40 | 98.39 | 10.80 | 992.70 | 3.40 | 10.93 | 10.80 | 110.30 | 3.40 | 7.32 | 10.80 | 73.84 |
| 3.60 | 110.30 | 11.00 | 1029.81 | 3.60 | 12.26 | 11.00 | 114.42 | 3.60 | 8.20 | 11.00 | 76.60 |
| 3.80 | 122.90 | 11.20 | 1067.60 | 3.80 | 13.66 | 11.20 | 118.62 | 3.80 | 9.14 | 11.20 | 79.41 |
| 4.00 | 136.17 | 11.40 | 1106.07 | 4.00 | 15.13 | 11.40 | 122.90 | 4.00 | 10.13 | 11.40 | 82.27 |
| 4.20 | 150.13 | 11.60 | 1145.22 | 4.20 | 16.68 | 11.60 | 127.25 | 4.20 | 11.17 | 11.60 | 85.18 |
| 4.40 | 164.77 | 11.80 | 1185.05 | 4.40 | 18.31 | 11.80 | 131.67 | 4.40 | 12.26 | 11.80 | 88.14 |
| 4.60 | 180.09 | 12.00 | 1225.56 | 4.60 | 20.01 | 12.00 | 136.17 | 4.60 | 13.40 | 12.00 | 91.16 |
| 4.80 | 196.09 | 12.20 | 1266.75 | 4.80 | 21.79 | 12.20 | 140.75 | 4.80 | 14.59 | 12.20 | 94.22 |
| 5.00 | 212.77 | 12.40 | 1308.62 | 5.00 | 23.64 | 12.40 | 145.40 | 5.00 | 15.83 | 12.40 | 97.34 |
| 5.20 | 230.13 | 12.60 | 1351.18 | 5.20 | 25.57 | 12.60 | 150.13 | 5.20 | 17.12 | 12.60 | 100.50 |
| 5.40 | 248.18 | 12.80 | 1394.41 | 5.40 | 27.58 | 12.80 | 154.93 | 5.40 | 18.46 | 12.80 | 103.72 |
| 5.60 | 266.90 | 13.00 | 1438.33 | 5.60 | 29.66 | 13.00 | 159.81 | 5.60 | 19.85 | 13.00 | 106.98 |
| 5.80 | 286.30 | 13.20 | 1482.93 | 5.80 | 31.81 | 13.20 | 164.77 | 5.80 | 21.30 | 13.20 | 110.30 |
| 6.00 | 306.39 | 13.40 | 1528.20 | 6.00 | 34.04 | 13.40 | 169.80 | 6.00 | 22.79 | 13.40 | 113.67 |
| 6.20 | 327.16 | 13.60 | 1574.16 | 6.20 | 36.35 | 13.60 | 174.91 | 6.20 | 24.33 | 13.60 | 117.09 |
| 6.40 | 348.60 | 13.80 | 1620.80 | 6.40 | 38.73 | 13.80 | 180.09 | 6.40 | 25.93 | 13.80 | 120.56 |
| 6.60 | 370.73 | 14.00 | 1668.12 | 6.60 | 41.19 | 14.00 | 185.35 | 6.60 | 27.58 | 14.00 | 124.08 |
| 6.80 | 393.54 | 14.20 | 1716.12 | 6.80 | 43.73 | 14.20 | 190.68 | 6.80 | 29.27 | 14.20 | 127.65 |
| 7.00 | 417.03 | 14.40 | 1764.80 | 7.00 | 46.34 | 14.40 | 196.09 | 7.00 | 31.02 | 14.40 | 131.27 |
| 7.20 | 441.20 | 14.60 | 1814.17 | 7.20 | 49.02 | 14.60 | 201.57 | 7.20 | 32.82 | 14.60 | 134.94 |
| 7.40 | 466.05 | 14.80 | 1864.21 | 7.40 | 51.78 | 14.80 | 207.13 | 7.40 | 34.67 | 14.80 | 138.66 |
| 7.60 | 491.59 | 15.00 | 1914.94 | 7.60 | 54.62 | 15.00 | 212.77 | 7.60 | 36.56 | 15.00 | 142.43 |
| 7.80 | 517.80 | 15.20 | 1966.34 | 7.80 | 57.53 | 15.20 | 218.48 | 7.80 | 38.51 | 15.20 | 146.26 |
| 8.00 | 544.69 | 15.40 | 2018.43 | 8.00 | 60.52 | 15.40 | 224.27 | 8.00 | 40.51 | 15.40 | 150.13 |
| 8.20 | 572.27 | 15.60 | 2071.19 | 8.20 | 63.59 | 15.60 | 230.13 | 8.20 | 42.57 | 15.60 | 154.06 |
| 8.40 | 600.52 | 15.80 | 2124.64 | 8.40 | 66.72 | 15.80 | 236.07 | 8.40 | 44.67 | 15.80 | 158.03 |
| 8.60 | 629.46 | 15.964 | 2168.98 | 8.60 | 69.94 | 15.964 | 241.00 | 8.60 | 46.82 | 15.964 | 161.33 |
| 8.80 | 659.08 | | | 8.80 | 73.23 | | | 8.80 | 49.02 | | |

Piping length and elevation

Multiple Piping Models

(Unit: m)

| Phase | Capacity(kBtu/h) | Total Length | Max Length(A/B) | Max Elevation (h1) | In - In Elevation (h2) |
|-------|------------------|--------------|-----------------|--------------------|------------------------|
| 1Ø | 14/16 | 30 | 20 | 15 | 7.5 |
| | 18 | 50 | 25 | 15 | 7.5 |
| | 21 | 50 | 25 | 15 | 7.5 |



Multiple Piping Type

CAUTION

Capacity is based on standard length and maximum allowance length is on the basis of reliability. If outdoor unit is at higher elevation than the indoor units, after 24m of vertical height, 1 oil trap is required.

Refrigerant charge

The calculation of the additional charge should be taken in account for the length of extra pipe.

Multiple Piping Models

(Unit: m)

| Phase | Capacity (kBtu/h) | Standard Length(m) | Max Piping for one room(m) | Max total Piping Length | Chargeless Length | Additional Charge(g/m) |
|-------|-------------------|--------------------|----------------------------|-------------------------|-------------------|------------------------|
| 1Ø | 14/16 | 7.5 | 20 | 30 | 30 | 0 |
| | 18 | 7.5 | 25 | 50 | 30 | 20 |
| | 21 | 7.5 | 25 | 50 | 30 | 20 |

- Multiple Piping Models

- Additional refrigerant amount (g) = [The total length (m) of liquid piping-30(m)] x Additional refrigerant (g/m)

- (*) : Maximum piping length when console combination

- 27/30/40k models cannot be combined with console models when combined with consoles

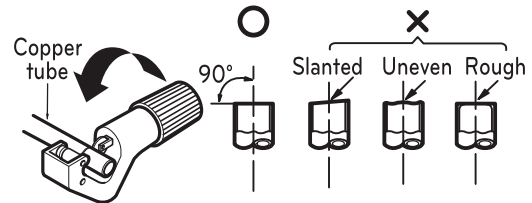
FLARING WORK AND CONNECTION OF PIPING

Preparation of Piping

- Main cause of gas leakage is defect in flaring work. Carry out correct flaring work in the following procedure.
- Use the de-oxidized copper as piping materials to install.

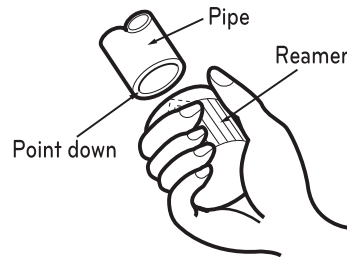
Cut the pipes and the cable

- Use the piping kit accessory or the pipes purchased locally.
- Measure the distance between the indoor and the outdoor unit.
- Cut the pipes a little longer than measured distance.
- Cut the cable 1.5m longer than the pipe length.



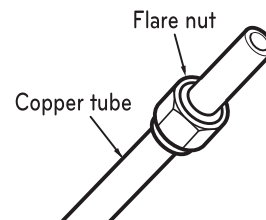
Burrs removal

- Completely remove all burrs from the cut cross section of pipe/tube.
- Put the end of the copper tube/pipe in a downward direction as you remove burrs in order to avoid dropping burrs into the tubing.



Putting nut on

- Remove flare nuts attached to indoor and outdoor unit, then put them on pipe/tube having completed burr removal. (not possible to put them on after flaring work)

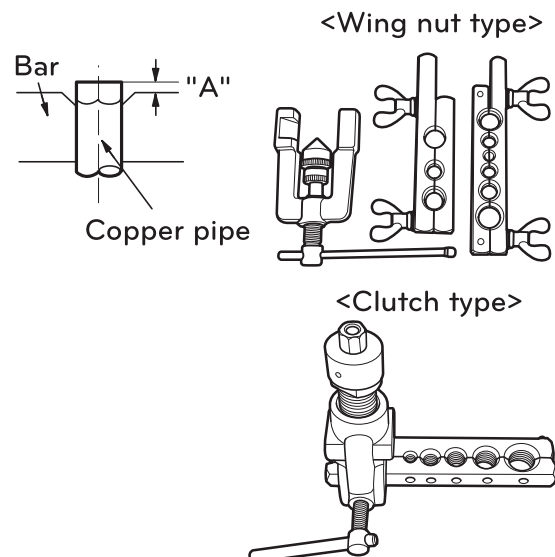


Flaring work

- Carry out flaring work using dedicated flaring tool as shown below.

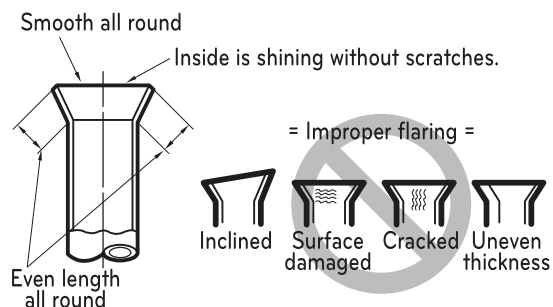
| Pipe diameter Inch (mm) | A inch (mm) | |
|----------------------------|---------------------|-------------------|
| | Wing nut type | Clutch type |
| ∅ 1/4 (∅ 6.35) | 0.04~0.05 (1.1~1.3) | 0~0.02 (0~0.5) |
| ∅ 3/8 (∅ 9.52) | 0.06~0.07 (1.5~1.7) | |
| ∅ 1/2 (∅ 12.7) | 0.06~0.07 (1.6~1.8) | |
| ∅ 5/8 (∅ 15.88) | 0.06~0.07 (1.6~1.8) | |
| ∅ 3/4 (∅ 19.05) | 0.07~0.08 (1.9~2.1) | |

Firmly hold copper tube in a bar(or clamp) as indicated dimension in the table above.



Check

- Compare the flared work with figure below.
- If flare is noted to be defective, cut off the flared section and do flaring work again.

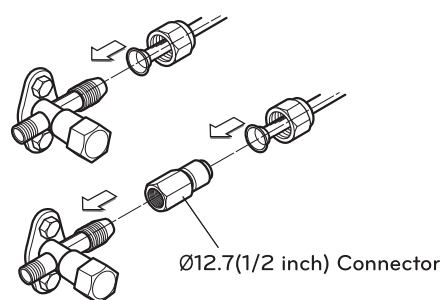


Connection of piping - Outdoor

Align the center of the piping and sufficiently tighten the flare nut by hand.

Connecting pipe order

- 1) ROOM A~E gas side pipe
- 2) ROOM A~E liquid side pipe

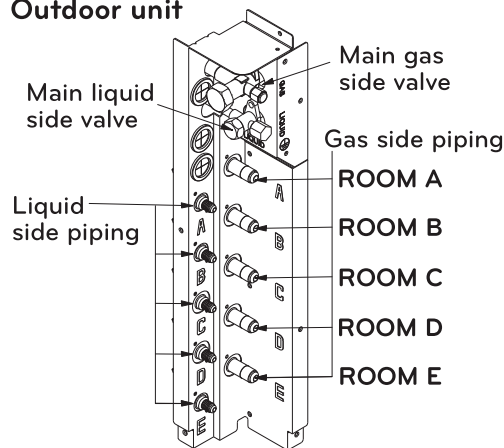


Finally, tighten the flare nut with torque wrench until the wrench clicks.

- When tightening the flare nut with torque wrench ensure the direction for tightening follows the arrow on the wrench.

| Outside diameter | | Torque N·m |
|------------------|------|---------------|
| mm | inch | |
| Ø6.35 | 1/4 | 16±2 |
| Ø9.52 | 3/8 | 38±4 |
| Ø12.7 | 1/2 | 55±6 |
| Ø15.88 | 5/8 | 75±7 |
| Ø19.05 | 3/4 | 110±10 |

Outdoor unit



CONNECTING THE CABLE BETWEEN INDOOR UNIT AND OUTDOOR UNIT

Connect the cable to the Indoor unit

Connect the cable to the indoor unit by connecting the wires to the terminals on the control board individually according to the outdoor unit connection. (Ensure that the color of the wires of the outdoor unit and the terminal No. are the same as those of the indoor unit.)

The earth wire should be longer than the common wires.

The circuit diagram is not subject to change without notice.

When installing, refer to the circuit diagram behind the panel front of Indoor Unit the wiring diagram on the Control Cover Inside Outdoor Unit.



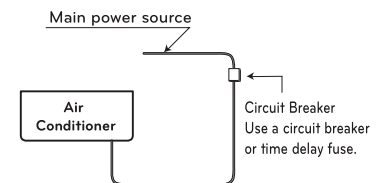
CAUTION

- The circuit diagram is not subject to change without notice.
- Be sure to connect wires according to the wiring diagram.
- Connect the wires firmly, so that not to be pulled out easily.
- Connect the wires according to color codes by referring the wiring diagram.



CAUTION

Provide a circuit breaker between power source and the unit as shown below.

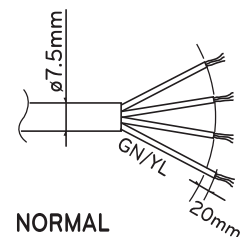
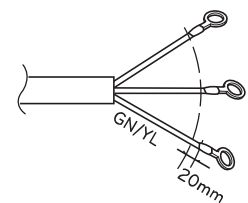


CAUTION

The power cord connected to the outdoor unit should be complied with the following specifications (Cable type approved by HAR or SAA).

| Phase | 1Ø | | | |
|-----------------------------|---------|-----|-----|-----|
| Capacity (kBtu/h) | 14 | 16 | 18 | 21 |
| NORMAL CROSS SECTIONAL AREA | 2.5 | 2.5 | 2.5 | 2.5 |
| Cable Type | H07RN-F | | | |

If the supply cord is damaged, it must be replaced by a special cord or assembly available from the manufacturer of its service agent.



NORMAL
CROSS-SECTIONAL
AREA 0.75mm²
H07RN-F

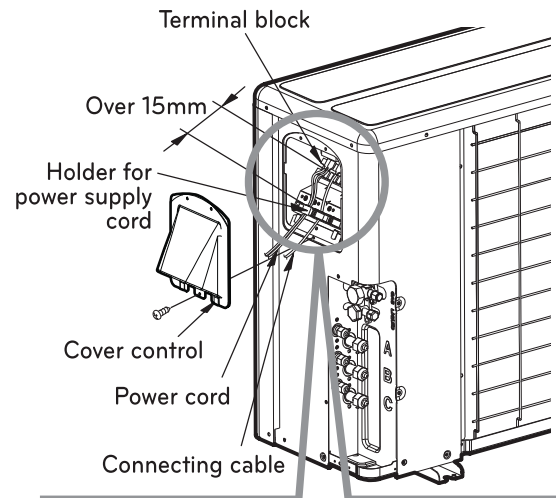
Connect the cable to the Outdoor unit

- 1 Remove the cover control from the unit by loosening the screw.
Connect the wires to the terminals on the control board individually as the following.
- 2 Secure the cable onto the control board with the holder (clamer).
- 3 Refix the cover control to the original position with the screw.
- 4 Use a recognized circuit breaker between the power source and the unit. A disconnection device to adequately disconnect all supply lines must be fitted.

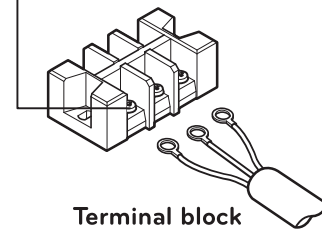
1Ø Models

| | | | | |
|---------------------|----|----|----|----|
| Capacity (kBtu/h) | 14 | 16 | 18 | 21 |
| Circuit Breaker (A) | 13 | 13 | 16 | 16 |

Outdoor unit



Loosen terminal screw



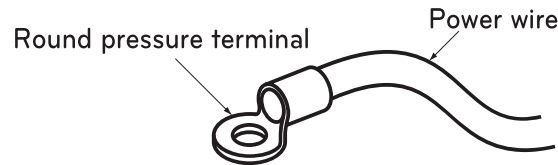
⚠ CAUTION

After the confirmation of the above conditions, prepare the wiring as follows.

- 1 Never fail to have an individual power circuit specifically for the air conditioner. As for the method of wiring, be guided by the circuit diagram posted on the inside of control cover.
- 2 Firmly tighten the terminal screws to prevent them loosening. After tightening, pull the wires lightly to confirm that they do not move. (If they are loose the unit, the unit will not operate normally or it can cause burn-out of the wires.)
- 3 Specification of power source.
- 4 Confirm that electrical capacity is sufficient.
- 5 See to that the starting voltage is maintained at more than 90 percent of the rated voltage marked on the name plate.
- 6 Confirm that the cable thickness is as specified in the power source specification. (Particularly note the relation between cable length and thickness.)
- 7 Do not install an earth leakage circuit breaker in a wet or moist area.
- 8 The following would be caused by voltage drop.
 - Vibration of a magnetic switch, which will damage the contact point, fuse breaking, disturbance of the normal function of the overload.
- 9 The means for disconnection from a power supply shall be incorporated in the fixed wiring and have an air gap contact separation of at least 3mm in each active(phase) conductors.
- 10 The Power cord connected to the unit should be selected according to the following specifications.

Precautions when laying power wiring

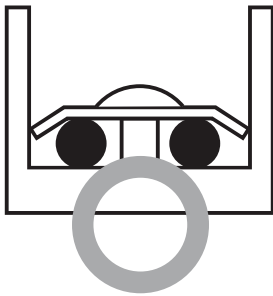
Use round pressure terminals for connections to the power terminal block.



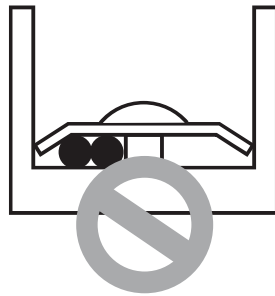
When none are available, follow the instructions below.

- Do not connect wiring of different thicknesses to the power terminal block. (Slack in the power wiring may cause abnormal heat.)
- When connecting wiring which is the same thickness, do as shown in the figure below.

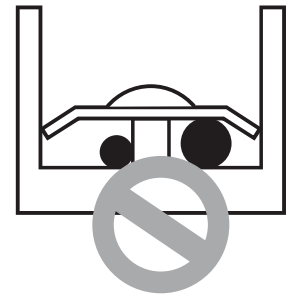
Connect same thickness wiring to both sides.



It is forbidden to connect two to one side.



It is forbidden to connect wiring of different thicknesses.



- For wiring, use the designated power wire and connect firmly, then secure to prevent outside pressure being exerted on the terminal block.
- Use an appropriate screwdriver for tightening the terminal screws. A screwdriver with a small head will strip the head and make proper tightening impossible.
- Over-tightening the terminal screws may break them.

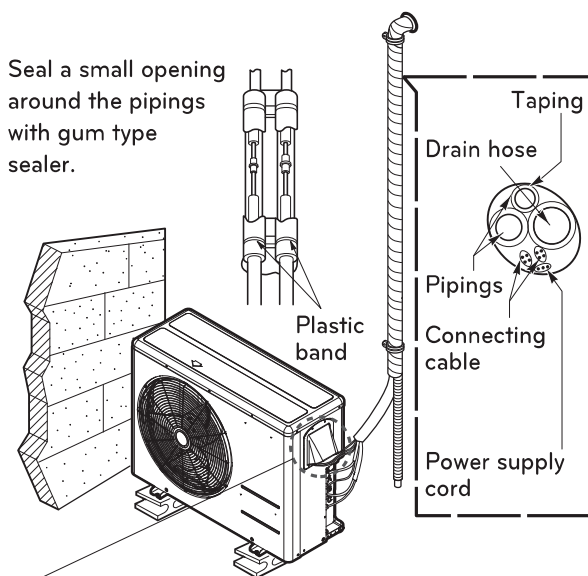
FORMING THE PIPING

Form the piping by wrapping the connecting portion of the indoor unit with insulation material and secure it with two kinds of vinyl tape.

- If you want to connect an additional drain hose, the end of the drain outlet should be routed above the ground. Secure the drain hose appropriately.

In cases where the outdoor unit is installed below the indoor unit perform the following.

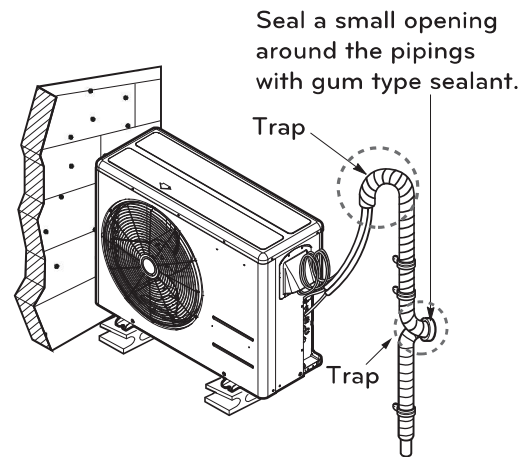
- 1 Tape the piping, drain hose and connecting cable from down to up.
- 2 Secure the tapped piping along the exterior wall using saddle or equivalent.



- Trap is required to prevent water from entering into electrical parts.

In cases where the Outdoor unit is installed above the Indoor unit perform the following.

- 1 Tape the piping and connecting cable from down to up.
- 2 Secure the taped piping along the exterior wall. Form a trap to prevent water entering the room.
- 3 Fix the piping onto the wall by saddle or equivalent.



AIR PURGING AND EVACUATION

The air and moisture remaining in the refrigerant system have undesirable effects as indicated below.

- Pressure in the system rises.
- Operating current rises.
- Cooling(or heating) efficiency drops.
- Moisture in the refrigerant circuit may freeze and block capillary tubing.
- Water may lead to corrosion of parts in the refrigeration system.

Therefore, after evacuating the system, take a leak test for the piping and tubing between the indoor and outdoor unit.

Checking method

Preparation

Check that each tube(both liquid and gas side tubes) between the indoor and outdoor units have been properly connected and all wiring for the test run has been completed. Remove the service valve caps from both the gas and the liquid side on the outdoor unit. Check that both the liquid and the gas side service valves on the outdoor unit are kept closed at this stage.

Leakage test

Connect the manifold valve(with pressure gauges) and dry nitrogen gas cylinder to this service port with charge hoses.



CAUTION

Be sure to use a manifold valve for leakage test. If it is not available, use a stop valve for this purpose. The "Hi" knob of the manifold valve must always be kept close.

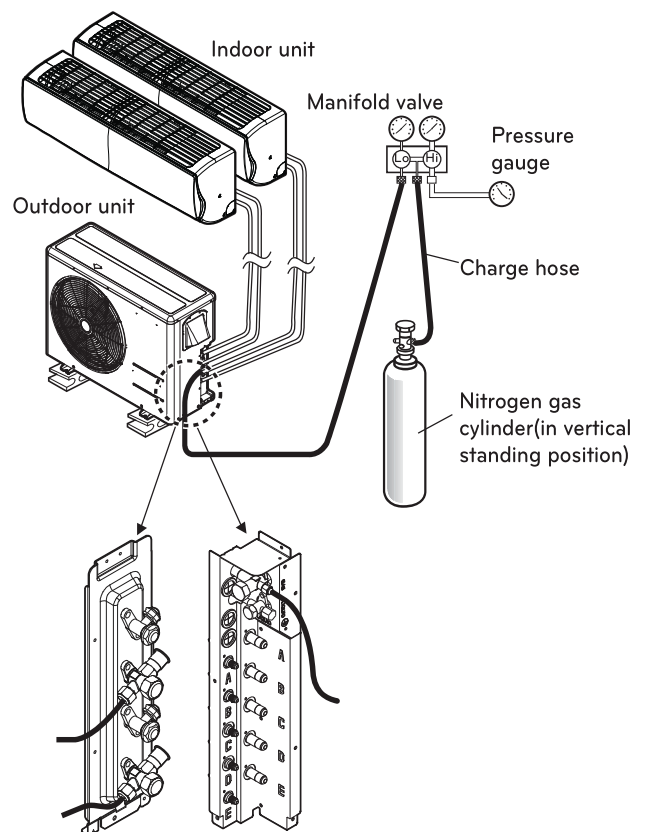
- Pressurize the system to no more than 551 P.S.I.G. with dry nitrogen gas and close the cylinder valve when the gauge reading reached 551 P.S.I.G. Next, test for leaks with liquid soap.



CAUTION

To avoid nitrogen entering the refrigerant system in a liquid state, the top of the cylinder must be higher than its bottom when you pressurize the system. Usually, the cylinder is used in a vertical standing position.

- Do a leakage test of all joints of the tubing(both indoor and outdoor) and both gas and liquid side service valves. Bubbles indicate a leak. Be sure to wipe off the soap with a clean cloth.
- After the system is found to be free of leaks, relieve the nitrogen pressure by loosening the charge hose connector at the nitrogen cylinder. When the system pressure is reduced to normal, disconnect the hose from the cylinder.



! WARNING

Use a vacuum pump or Inert (nitrogen) gas when doing leakage test or air purge. Do not compress air or Oxygen and do not use Flammable gases. Otherwise, it may cause fire or explosion.

- There is the risk of death, injury, fire or explosion.

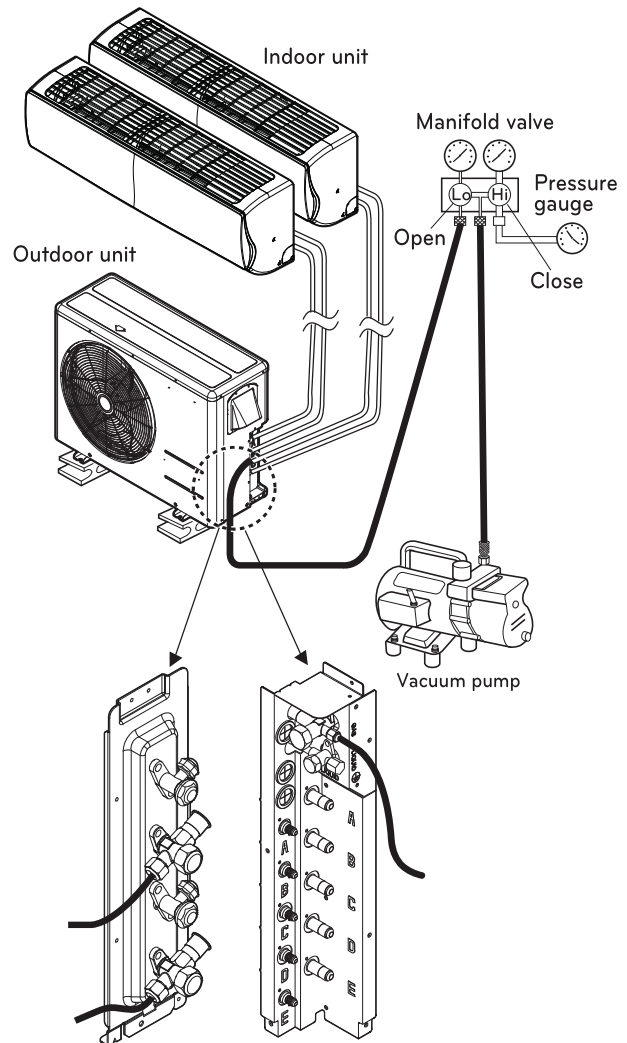
Evacuation

- Connect the charge hose end described in the preceding steps to the vacuum pump to evacuate the tubing and indoor unit. Confirm the "Lo" knob of the manifold valve is open. Then, run the vacuum pump. The operation time for evacuation varies with tubing length and capacity of the pump. The following table shows the time required for evacuation.

| Required time for evacuation when 30 gal/h vacuum pump is used | |
|--|---|
| If tubing length is less than 10m (33 ft) | If tubing length is longer than 10m (33 ft) |
| Less than 0.5 Torr | Less than 0.5 Torr |

- When the desired vacuum is reached, close the "Lo" knob of the manifold valve and stop the vacuum pump.

- Replace the valve caps at both gas and liquid side service valves and fasten them tight. This completes air purging with a vacuum pump. The air conditioner is now ready to test run.



Finishing the Job

- With a service valve wrench, turn the valve stem of liquid side valve counter-clockwise to fully open the valve.

- Turn the valve stem of gas side valve counter-clockwise to fully open the valve.

- Loosen the charge hose connected to the gas side service port slightly to release the pressure, then remove the hose.

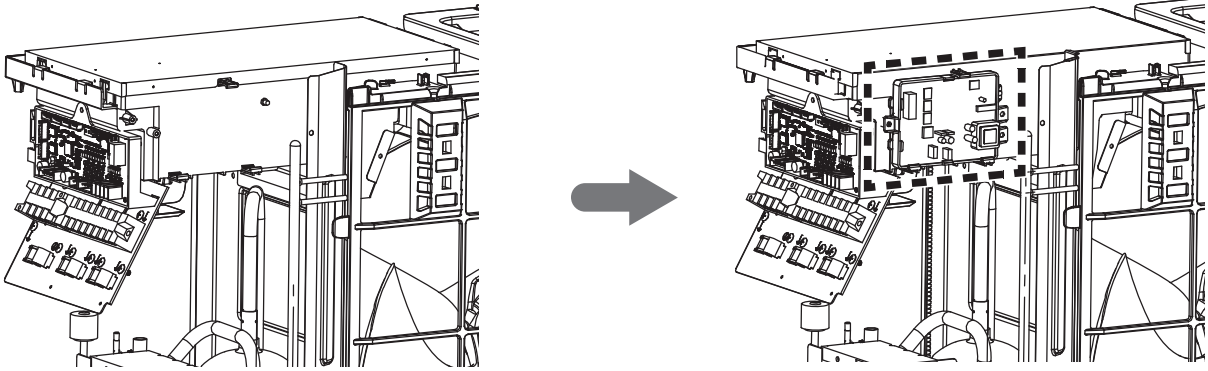
- Replace the flare nut and its bonnet on the gas side service port and fasten the flare nut securely with an adjustable wrench. This process is very important to prevent leakage from the system.

INSTALLATION PI485

Fix the PI485 PCB as shown in Fig.

Detailed installation method refer to PI485 Installation Manual.

18kBtu/h, 21kBtu/h



TEST RUNNING

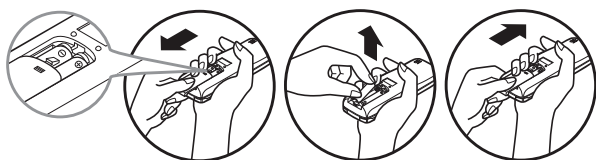
- Check that all tubing and wiring have been properly connected.
- Check that the gas and liquid side service valves are fully open.

Prepare remote control

Remove the battery cover by pulling it according to the arrow direction.

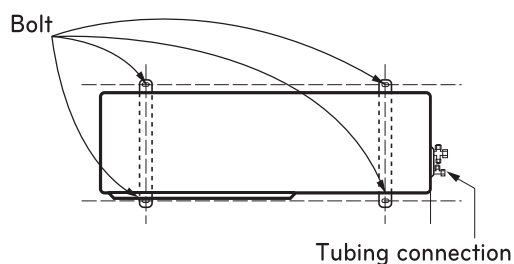
Insert new batteries making sure that the (+) and (-) of battery are installed correctly.

Reattach the cover by pushing it back into position.



NOTE

- Use 2 AAA(1.5volt) batteries. Do not use rechargeable batteries.
- Remove the batteries from the remote control if the system is not going to be used for a long time.



Evaluation of the performance

Operate unit for 15~20 minutes, then check the system refrigerant charge:

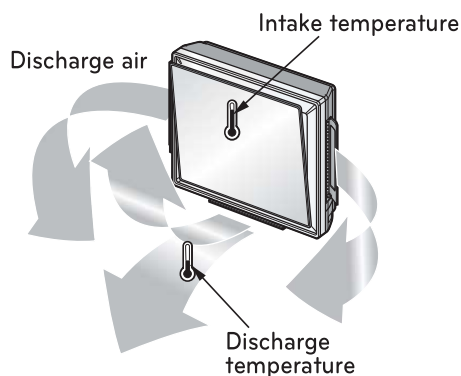
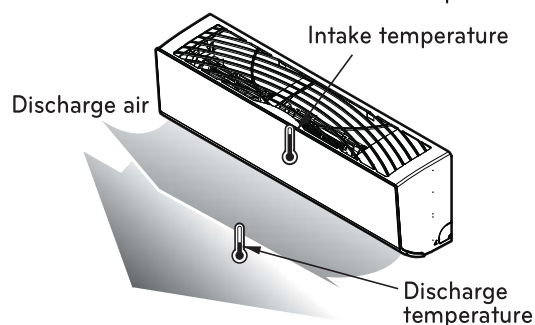
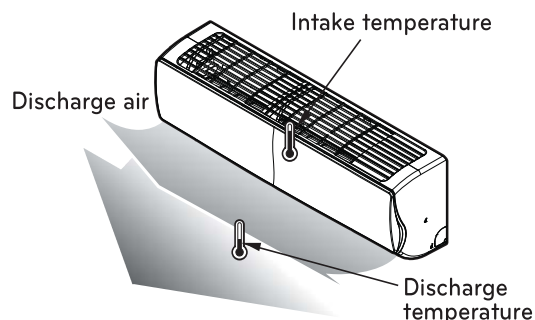
- Measure the pressure of the gas side service valve.
- Measure the temperature of the intake and discharge of air.
- Ensure the difference between the intake temperature and the discharge is more than 8° C.

- For reference, the gas side pressure of optimum condition is as below.(Cooling)

| Refrigerant | Outside ambient TEMP. | The pressure of the gas side service valve. |
|-------------|-----------------------|---|
| R32 | 35° C (95° F) | 8.5~9.5kg/cm ² G (120~135 P.S.I.G.) |

NOTE

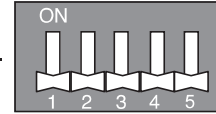
If the actual pressure are higher than shown, the system is most likely over-charged, and charge should be removed. If the actual pressure are lower than shown, the system is most likely under-charged, and charge should be added. The air conditioner is now ready for use.



FUNCTION

DIP S/W Setting

If you set the DIP Switch when power is on, the change in setting is not applicable. The changing setting is enabled only when Power is reset.



| DIP Switch | | | | | Function |
|------------|---|---|---|---|---|
| 1 | 2 | 3 | 4 | 5 | |
| | | | | | Normal Operation (No Function) |
| | | | | | Forced Cooling Operation |
| | | | | | Wiring Error Check |
| | | | | | Saving Power Consumption (Step 1) |
| | | | | | Saving Power Consumption (Step 2) |
| | | | | | Mode Lock (Cooling) |
| | | | | | Mode Lock (Heating) |
| | | | | | Night Quiet Mode (Step 1) |
| | | | | | Night Quiet Mode (Step 2) |
| | | | | | Mode Lock (Cooling) + Night Quiet Mode (Step 1) |
| | | | | | Mode Lock (Cooling) + Night Quiet Mode (Step 2) |
| | | | | | Mode Lock (Cooling) + Saving Power Consumption (Step 1) |
| | | | | | Mode Lock (Cooling) + Saving Power Consumption (Step 2) |
| | | | | | Mode Lock (Heating) + Saving Power Consumption (Step 1) |
| | | | | | Mode Lock (Heating) + Saving Power Consumption (Step 2) |

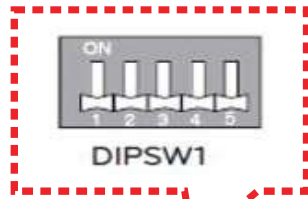
WARNING

When you set the DIP switch, you should turn off the circuit breaker or shut the power source of the product down.

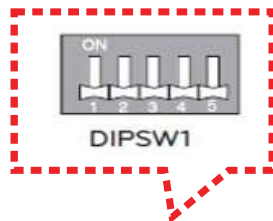
CAUTION

- Unless the applicable DIP switch is set properly, the product may not work.
- If you want to set a specific function, request that the installer sets the DIP switch appropriately during installation.

14/16(1Ø) kBtu/h



18/21 (1Ø) kBtu/h



Forced Cooling Operation

Adding the refrigerant in winter.

Setting Procedure

- 1 Set the DIP Switch as follow after shutting the power source down.



- 2 Reset the power.
- 3 Check that the Red LED of PCB is on during work. (The indoor unit is operated by force.)
- 4 Add the specific amount of refrigerant.



CAUTION

- When the green LED of PCB is on, compressor is going to be off because of low pressure.
- You should return the DIP Switch to operate normally after finishing the operation.

Wiring Error Check

You can check whether or not the wiring is correct.

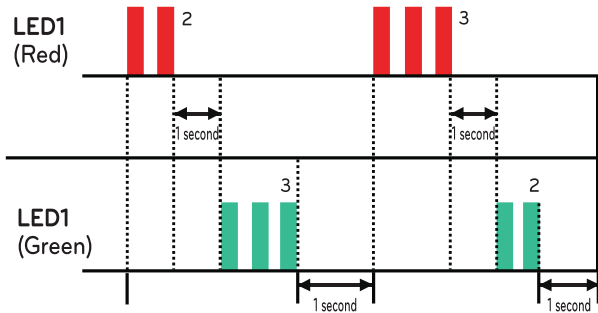
Setting Procedure

- 1 Set the DIP Switch as follow after shutting the power source down.

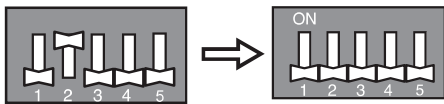


- 2 Reset the power.
- 3 Check that the Red and Green LED of PCB are on during work. (The indoor unit is operated by force.)
- 4 If the wiring is correct, the Green LED will light up.
If the wiring is wrong, display as below (Display only wrong connection.)
 - Red LED : Piping Number
 - Green LED : Wiring Number (Room)

Example)
If the Red LED blinks twice and the Green LED blinks 3 times, 2nd pipe is connected to 3rd room.



5 You should return the DIP Switch to operate normally after finishing wiring error check.

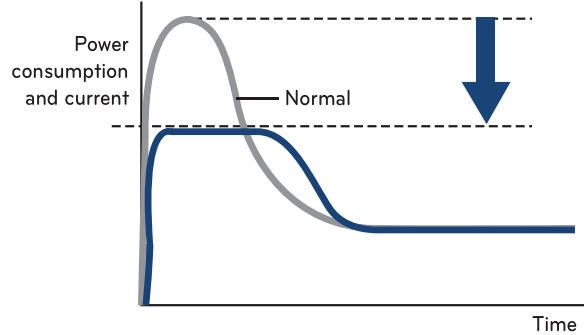


CAUTION

- If Indoor unit doesn't communicate to outdoor Unit, function could not be operated correctly.
- Only the wrong wiring connection is displayed. You should change connection correctly to operate the product.
- If Outdoor and Indoor temperature is too low in winter, the wiring error check function will not be operated. (Red LED is lighting)

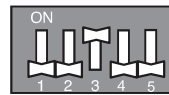
Saving Power Consumption

Saving Power Consumption operation is the function which enables efficient operation by lowering the maximum power consumption value.

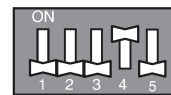


Setting Procedure

1 Set the DIP Switch as follow after shutting the power source down.



Step 1



Step 2

2 Reset the power.

Saving Power Consumption Current level.

| Phase | 1Ø | | | |
|----------|-----|-----|-----|-----|
| Model | 14k | 16k | 18k | 21k |
| Step1(A) | 7 | 7 | 9 | 9 |
| Step2(A) | 5.5 | 5.5 | 7.5 | 7.5 |

Saving Power Consumption with Mode Lock.



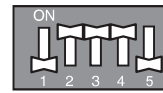
Saving Power Consumption (step 1)
+ Mode Lock (Cooling)



Saving Power Consumption (step 1)
+ Mode Lock (Heating)



Saving Power Consumption (step 2)
+ Mode Lock (Cooling)



Saving Power Consumption (step 2)
+ Mode Lock (Heating)

Night Quiet Mode

Night Quiet Mode operation lowers the noise level of the outdoor unit by changing the comp frequency and fan speed. This function is operated all night long.

Setting Procedure

1 Set the DIP Switch as follow after shutting the power source down.



Step 1

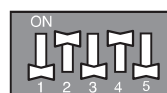


Step 2

* Noise level : Step 1 > Step 2

2 Reset the power.

Night Quiet Mode with Mode Lock.



Mode Lock (Cooling)
+ Night Quiet Mode (step 1)



Mode Lock (Cooling)
+ Night Quiet Mode (step 2)

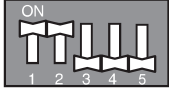
CAUTION

- If comp frequency and fan speed are down, the cooling capacity may decrease accordingly.
- This function is only available for Cooling Mode.
- If you want to stop the Night Quiet Mode, Change the DIP Switch.
- If operating indoor unit is set by the fan speed "Power", Night Quiet Mode will be stopped until fan speed "Power" is changed.

Mode Lock

Setting Procedure

1 Set the DIP Switch as follow after shutting the power source down.



Only Cooling Mode



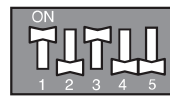
Only Heating Mode

2 Reset the power.

Mode Lock with Night Quiet Mode



Mode Lock (Cooling)
+ Night Quiet Mode
(step 1)

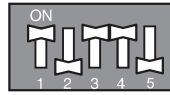


Mode Lock (Cooling)
+ Night Quiet Mode
(step 2)

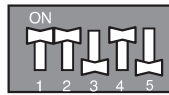
Saving Power Consumption with Mode Lock.



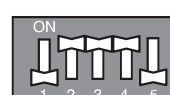
Mode Lock (Cooling)
+ Saving Power
Consumption (step 1)



Mode Lock (Heating)
+ Saving Power
Consumption (step 1)



Mode Lock (Cooling)
+ Saving Power
Consumption (step 2)



Mode Lock (Heating)
+ Saving Power
Consumption (step 2)

MAX COMBINATION CAPACITY

Multi Piping Type

| Capacity (kBtu/h) | Max Room No. | Combination Indoor Capacity (kBtu/h) | Max Combination Capacity (kBtu/h) |
|-------------------|--------------|--------------------------------------|-----------------------------------|
| 14 | 2 | 5, 7, 9, 12 | 21 |
| 16 | 2 | 5, 7, 9, 12, 15 | 24 |
| 18 | 3 | 5, 7, 9, 12, 15 | 30 |
| 21 | 3 | 5, 7, 9, 12, 15, 18 | 33 |

The combination of indoor unit is to be decided that the sum of indoor unit capacity index must be smaller than the maximum combination capacity of outdoor unit. We recommend to calculate indoor unit capacity like below.

If you do not follow our recommendation, it will have some problems in low ambient condition i.e. some indoor unit will not be able to heat very well in heating mode.

CALCULATION METHOD FOR THE CONNECTABLE TOTAL CAPACITY OF INDOOR UNIT

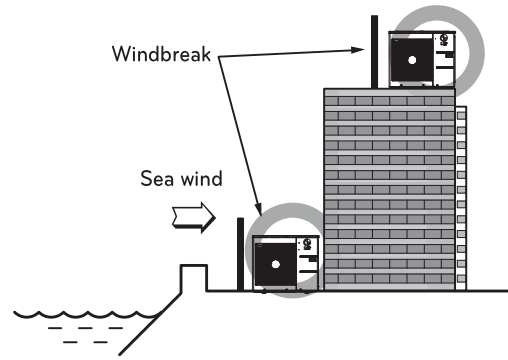
Sum up the capacity of all indoor unit, but high static duct type indoor unit capacity weights 1.3 times

- Ex) 1 Outdoor unit : A9UW566FA3(FM56AH)(connectable maximum capacity is 73kBtu)
 Indoor unit:
 AMNH186BHA0[MB18AH],AMNH246BHA0[MB24AH],AMNH246BHA0[MB24AH]
 $(18 + 24 + 24) \times 1.3 = 66 \times 1.3 = 85.8\text{kBtu}$: this combination has a some problem
- 2 Out door unit: FM56AH
 Indoor unit:
 AMNH186BHA0[MB18AH],AMNH246BHA0[MB24AH],AMNH18GD5L0[MS18AH]
 $(18 + 24) \times 1.3 + 18 + 72.6$: this combination can be ok

INSTALLATION GUIDE AT THE SEASIDE

CAUTION

- Air conditioners should not be installed in areas where corrosive gases, such as acid or alkaline gas, are produced.
- Do not install the product where it could be exposed to sea wind (salty wind) directly. It can result corrosion on the product. Corrosion, particularly on the condenser and evaporator fins, could cause product malfunction or inefficient performance.
- If outdoor unit is installed close to the seaside, it should avoid direct exposure to the sea wind. Otherwise it needs additional anticorrosion treatment on the heat exchanger.



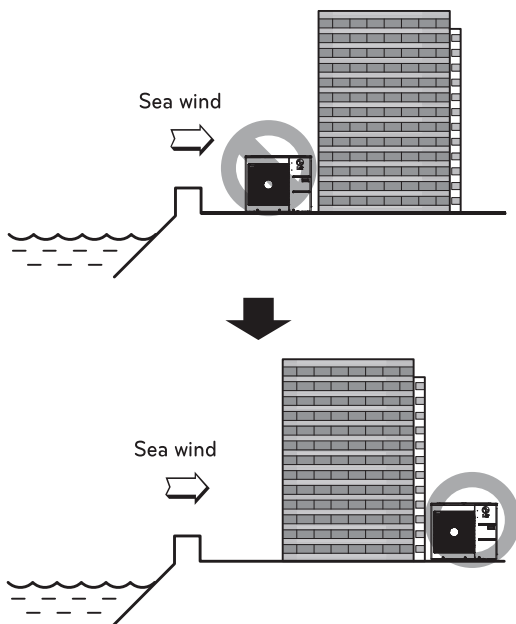
- It should be strong enough like concrete to prevent the sea wind from the sea.
- The height and width should be more than 150% of the outdoor unit.
- It should be keep more than 70 cm of space between outdoor unit and the windbreak for easy air flow.

Place with fluent water draining

- Install at a place with fluent water draining to prevent damage from localized heavy rain and avoid frequent flooded area.

Selecting the location(Outdoor Unit)

If the outdoor unit is to be installed close to the seaside, direct exposure to the sea wind should be avoided. Install the outdoor unit on the opposite side of the sea wind direction.



In case, to install the outdoor unit on the seaside, set up a windbreak not to be exposed to the sea wind.

- Periodic (more than once/year) cleaning of the dust or salt particles stuck on the heat exchanger by using water.

SEASONAL WIND AND CAUTIONS IN WINTER

- Sufficient measures are required in a snow area or severe cold area in winter so that product can be operated well.
- Get ready for seasonal wind or snow in winter even in other areas.
- Install a suction and discharge duct not to let in snow or rain.
- Install the outdoor unit not to come in contact with snow directly. If snow piles up and freezes on the air suction hole, the system may malfunction. If it is installed at snowy area, attach the hood to the system.
- Install the outdoor unit at the higher installation console by 50cm than the average snowfall (annual average snowfall) if it is installed at the area with much snowfall.
- Where snow accumulated on the upper part of the Outdoor Unit by more than 10cm, always remove snow for operation.

- 1 The height of H frame must be more than 2 times the snowfall and its width shall not exceed the width of the product. (If width of the frame is wider than that of the product, snow may accumulate)
- 2 Don't install the suction hole and discharge hole of the Outdoor Unit facing the seasonal wind.

Airborne Noise Emission

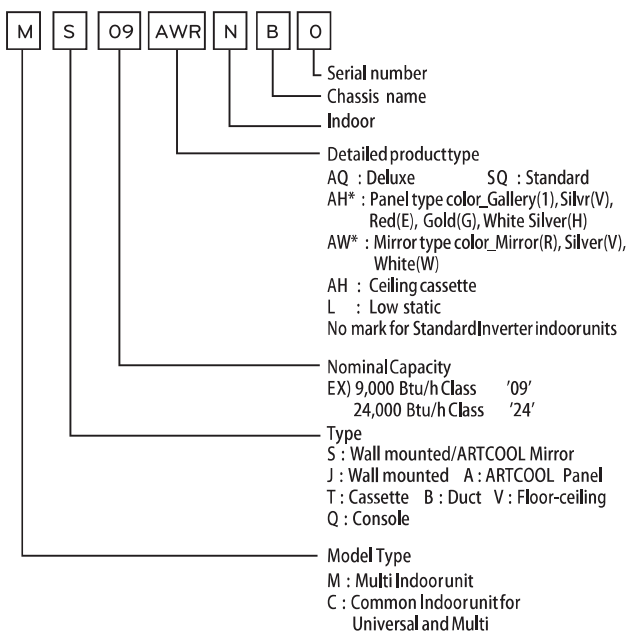
The A-weighted sound pressure emitted by this product is below 70 dB.

** The noise level can vary depending on the site.

The figures quoted are emission level and are not necessarily safe working levels. Whilst there is a correlation between the emission and exposure levels, this cannot be used reliably to determine whether or not further precautions are required. Factor that influence the actual level of exposure of the workforce include the characteristics of the work room and the other sources of noise, i.e. the number of equipment and other adjacent processes and the length of time for which an operator exposed to the noise. Also, the permissible exposure level can vary from country to country. This information, however, will enable the user of the equipment to make a better evaluation of the hazard and risk.

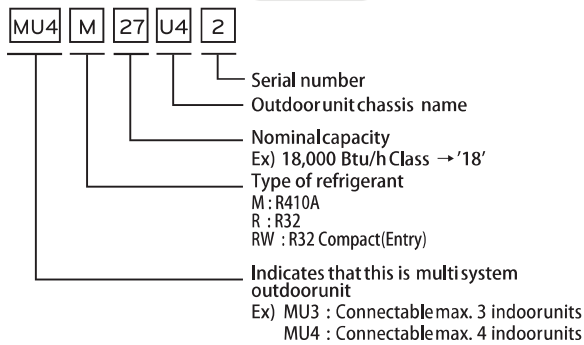
Model Designation

Indoor unit

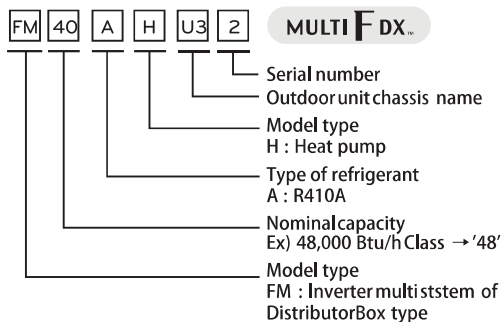


Outdoor unit

MULTI F_{...}



MULTI F DX_{...}



MANUALE D'INSTALLAZIONE

CONDIZIONATORE

D'ARIA

Prima di installare il prodotto, leggere completamente questo manuale di installazione.
L'installazione deve essere eseguita in conformità con le norme nazionali per le connessioni solo da parte di personale autorizzato.
Dopo avere letto il manuale di installazione conservarlo in un luogo sicuro per usarlo in futuro.

MULTI
Traduzione delle istruzioni originali