

2. Specifications

2.1 Specification Sheet

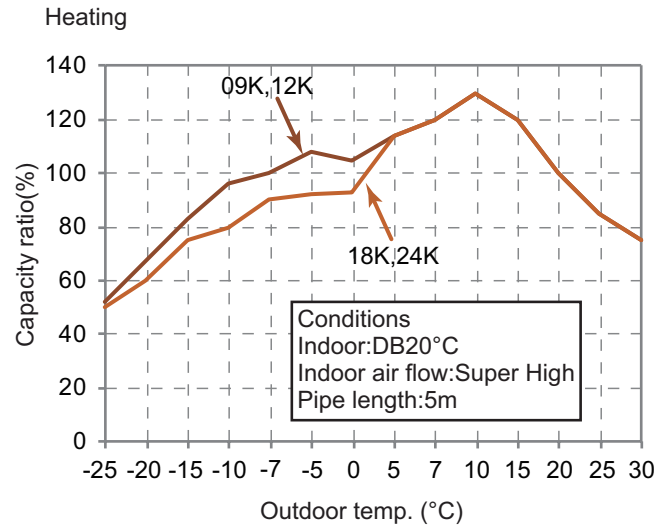
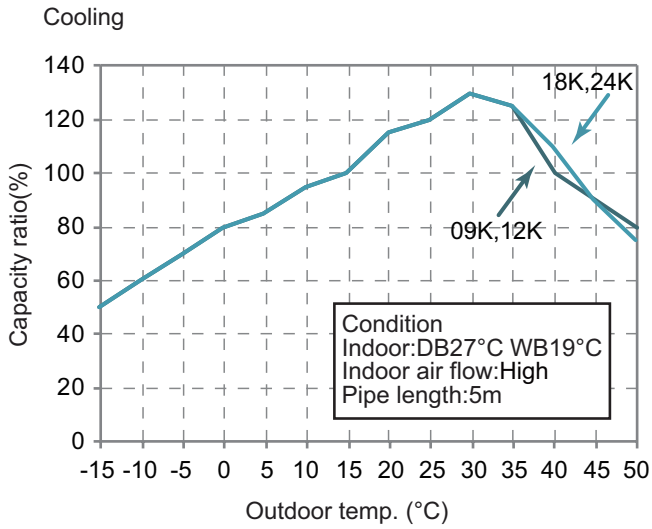
Model		-	GWH09AWCXB-K6DNA1G GWH09AWCXB-K6DNA4G	
Product Code		-	CB603010800 CB622003602	CB603010801 CB622003601
Power Supply	Rated Voltage	V~	220-240	
	Rated Frequency	Hz	50	
	Phases	-	1	
Power Supply Mode		-	Outdoor	
Cooling Capacity		W	2700	
Heating Capacity		W	3000	
Cooling Power Input		W	670	
Heating Power Input		W	674	
Cooling Current Input		A	3.5	
Heating Current Input		A	3.5	
Rated Input		W	1400	
Rated Cooling Current		A	6	
Rated Heating Current		A	6.5	
Air Flow Volume		m ³ /h	610/530/500/450/350/290/230/180	
Dehumidifying Volume		L/h	0.8	
EER		W/W	4.03	
COP		W/W	4.45	
SEER		-	8.5	
SCOP(Average/Warmer/Colder)		-	4.6/5.7/3.5	
Application Area		m ²	12-18	
Indoor Unit	Indoor Unit Model	-	GWH09AWCXB-K6DNA1G/I GWH09AWCXB-K6DNA4G/I	
	Indoor Unit Product Code	-	CB603N10800 CB622N03602	CB603N10800 CB622N03600
	Fan Type	-	Cross-flow	
	Fan Diameter Length (DXL)	mm	Φ94×630	
	Cooling Speed	r/min	1250/1100 /1050/950/800/700/650/500	
	Heating Speed	r/min	1250/1100 /1040/950/900/880/850	
	Fan Motor Power Output	W	15	
	Fan Motor RLA	A	0.22	
	Fan Motor Capacitor	μF	-	
	Evaporator Form	-	Aluminum Fin-copper Tube	
	Evaporator Pipe Diameter	mm	Φ5	
	Evaporator Row-fin Gap	mm	2-1.3	
	Evaporator Coil Length (LXDXW)	mm	634×22.8×266.7	
	Swing Motor Model	-	MP24HF/MP24HF	
	Swing Motor Power Output	W	1.5/1.5	
	Fuse Current	A	3.15	
	Sound Pressure Level	dB (A)	Cooling: 39/36/34/31/26/24/22/18 Heating: 39/36/34/31/30/29/27	
	Sound Power Level	dB (A)	Cooling: 57/50/48/45/40/37/36/32 Heating: 57/50/48/45/44/43/41	
	Dimension (WXHXD)	mm	867X276X206	
	Dimension of Carton Box (LXWXH)	mm	920X334X264	
Dimension of Package (LXWXH)	mm	925X350X275		
Net Weight	kg	9		
Gross Weight	kg	11		

Outdoor Unit	Outdoor Unit Model	-	GWH09ACCXB-K6DNA1G/O		
	Outdoor Unit Product Code	-	CB497W26500	CB497W26501	
	Compressor Manufacturer	-	ZHUHAI LANDA COMPRESSOR CO., LTD.		
	Compressor Model	-	QXF-N082zC170		
	Compressor Oil	-	RB68GX or equivalent		
	Compressor Type	-	Rotary		
	Compressor LRA.	A	/		
	Compressor RLA	A	3.4		
	Compressor Power Input	W	630		
	Compressor Overload Protector	-	/		
	Throttling Method	-	Electron expansion valve		
	Set Temperature Range	°C	16~30		
	Cooling Operation Ambient Temperature Range	°C	-15~50		
	Heating Operation Ambient Temperature Range	°C	-25~30	-15~30	
	Condenser Form	-	Aluminum Fin-copper Tube		
	Condenser Pipe Diameter	mm	Φ7		
	Condenser Rows-fin Gap	mm	1-1.2		
	Condenser Coil Length (LXDXW)	mm	666×19.05×527		
	Fan Motor Speed	rpm	850		
	Fan Motor Power Output	W	30		
	Fan Motor RLA	A	0.4		
	Fan Motor Capacitor	μF	/		
	Outdoor Unit Air Flow Volume	m ³ /h	1950		
	Fan Type	-	Axial-flow		
	Fan Diameter	mm	Φ400		
	Defrosting Method	-	Automatic Defrosting		
	Climate Type	-	T1		
	Isolation	-	I		
	Moisture Protection	-	IPX4		
	Permissible Excessive Operating Pressure for the Discharge Side	MPa	4.3		
	Permissible Excessive Operating Pressure for the Suction Side	MPa	2.5		
	Sound Pressure Level	dB (A)	51		
Sound Power Level	dB (A)	61			
Dimension (WXHXD)	mm	732X555X330			
Dimension of Carton Box (LXWXH)	mm	791X373X590			
Dimension of Package (LXWXH)	mm	794X376X615			
Net Weight	kg	23.5			
Gross Weight	kg	26			
Refrigerant	-	R32			
Refrigerant Charge	kg	0.5			
Connection Pipe	Connection Pipe Length	m	5		
	Connection Pipe Gas Additional Charge	g/m	16		
	Outer Diameter Liquid Pipe	inch	1/4		
	Outer Diameter Gas Pipe	inch	3/8		
	Max Distance Height	m	10		
	Max Distance Length	m	15		
	Note: The connection pipe applies metric diameter.				

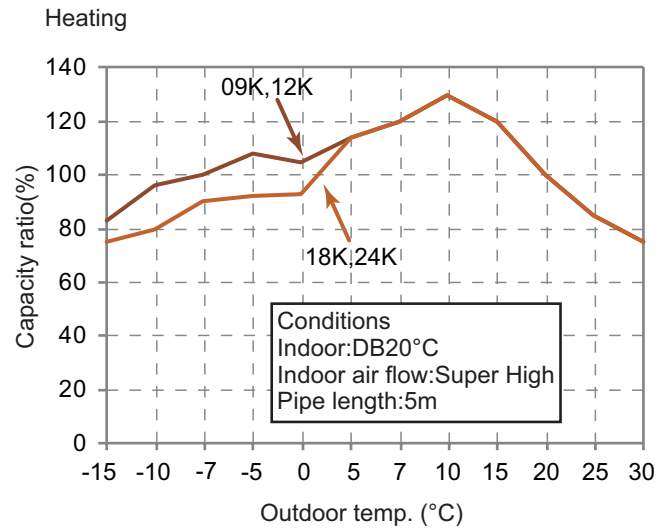
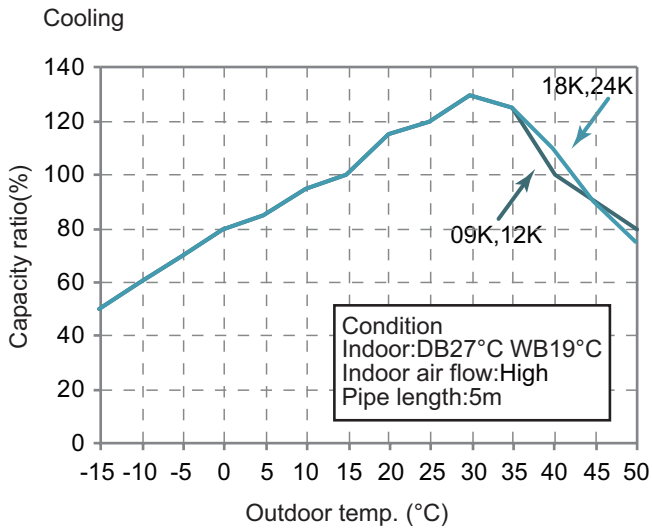
The above data is subject to change without notice. Please refer to the nameplate of the unit.

2.2 Capacity Variation Ratio According to Temperature

Heating operation ambient temperature range is -25°C~30°C

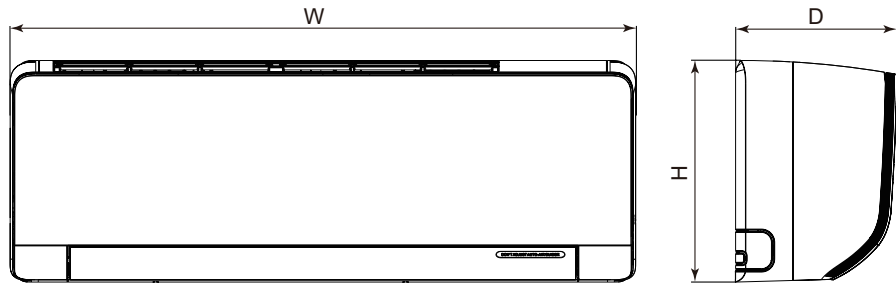


Heating operation ambient temperature range is -15°C~30°C

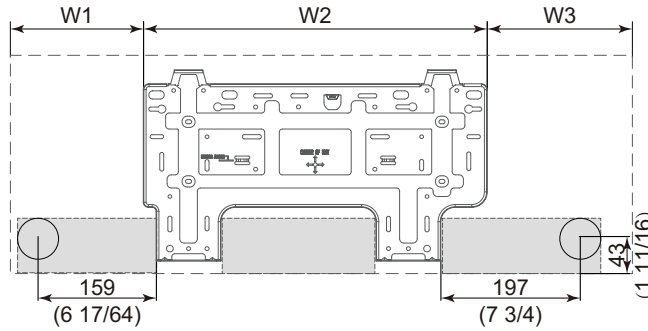


3. Outline Dimension Diagram

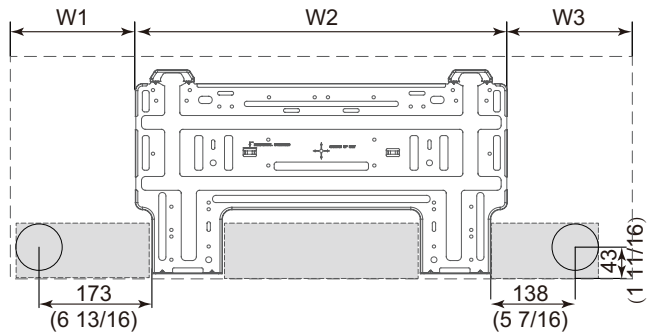
3.1 Indoor Unit



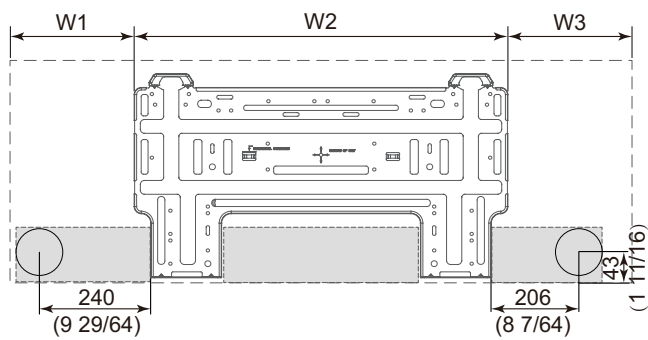
Unit: mm(inch)



AWC



AWD



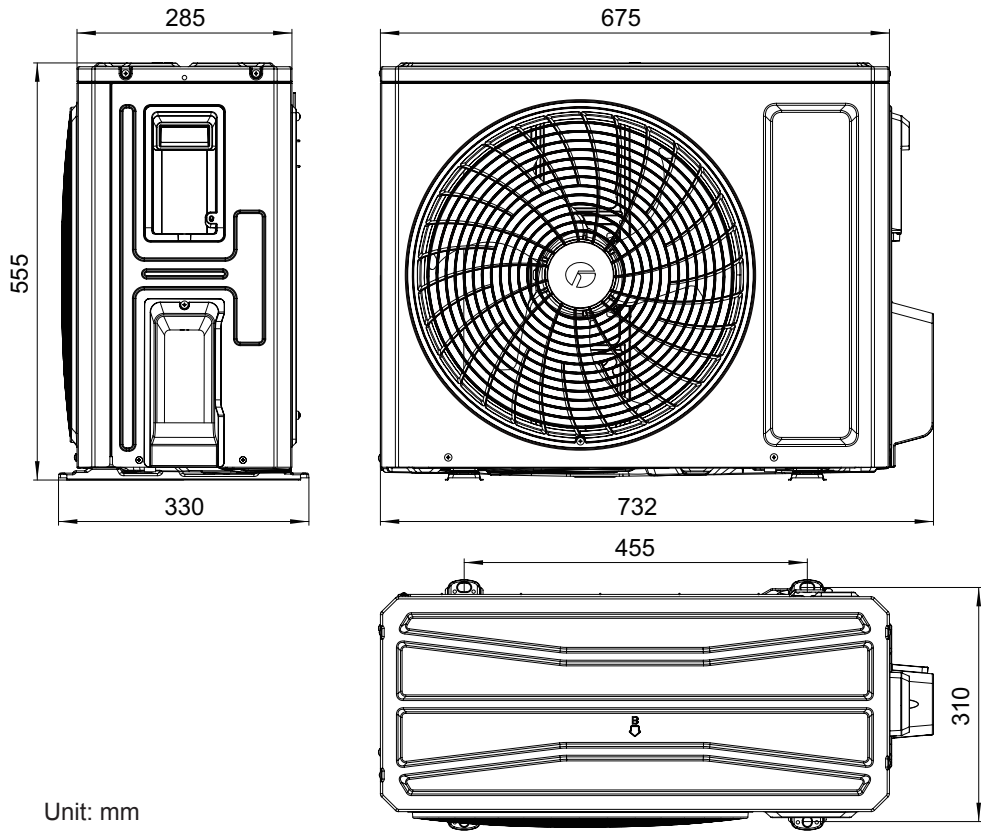
AWE

Unit: mm

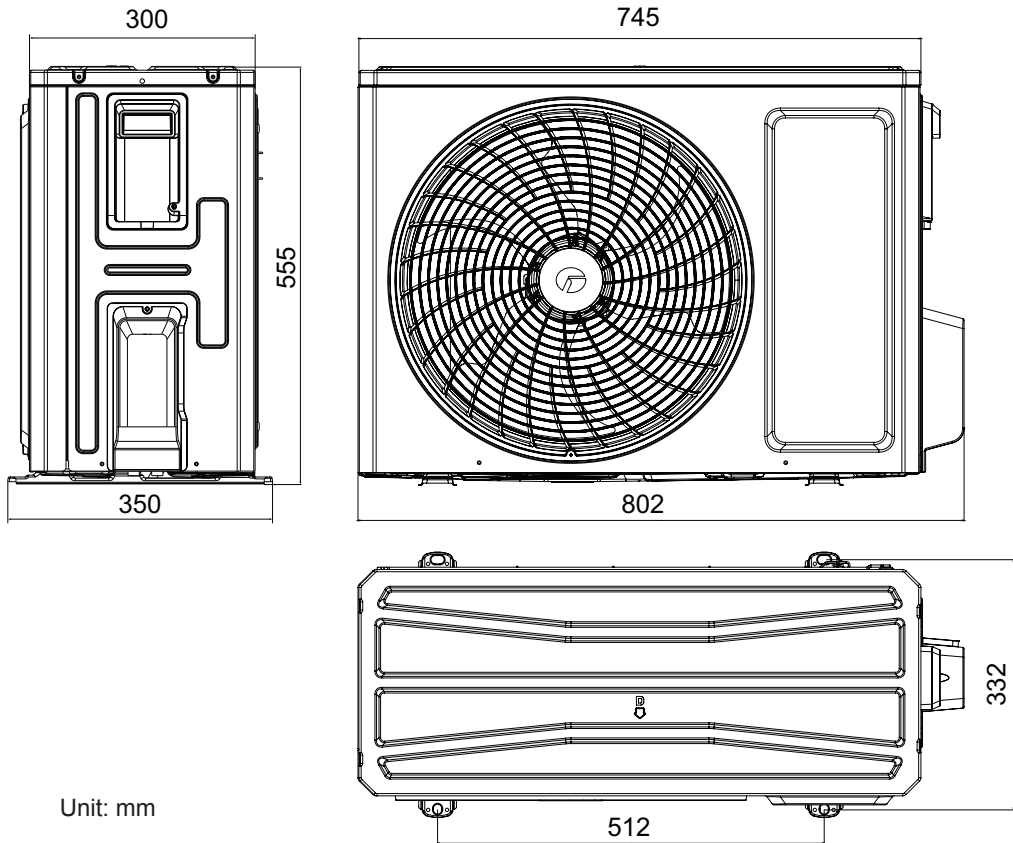
Model	W	H	D	W1	W2	W3
AWC	867	276	206	195	462	210
AWD	978	333	248	209	561.5	207.5
AWE	1116	333	248	277.5	561.5	277

3.2 Outdoor Unit

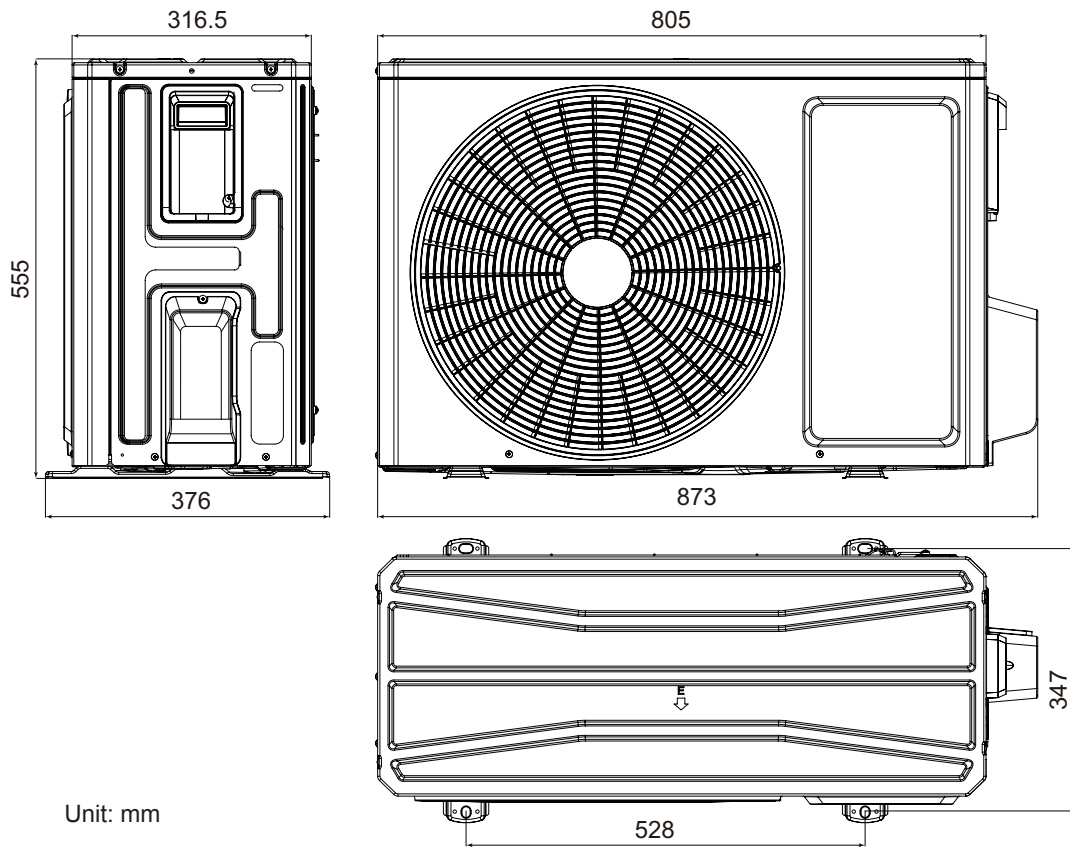
GWH09ACCXB-K6DNA1G/O GWH12ATCXB-K6DNA1A/O



GWH12AWCXD-K6DNA1D/O GWH18ATDXD-K6DNA1A/O



GWH18AWDXE-K6DNA4A/O



GWH24AVEXF-K6DNA1A/O

